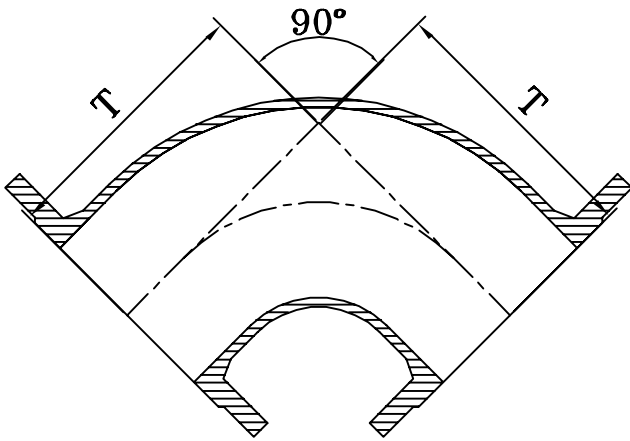


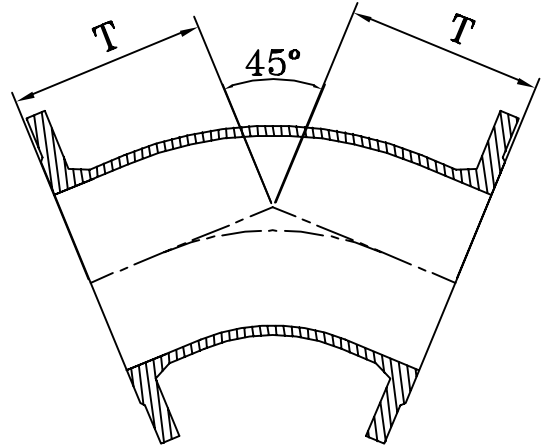
Flanged Fittings

Flanged Bend 90° (Q)



DN	T	Mass		
		PN10	PN16	PN25
80	165	9.6	9.6	9.6
100	180	11.9	11.9	12.9
150	220	20	20	22
200	260	31	31	34
250	350	50	50	57
300	400	70	70	81
350	450	90	96	113
400	500	116	127	149
450	550	147	163	184
500	600	181	211	235
600	700	272	325	353
700	800	386	416	-
800	900	533	572	-
900	1 000	698	745	-
1000	1 100	907	990	-
1100	1200	1164	1234	-
1200	1300	1452	1562	-
1400	1350	1948	2062	-
1500	1400	2273	2449	-
1600	1411	2663	2841	-
1800	1500	3348	3572	-
2000	1600	-	-	-
2200	1650	-	-	-

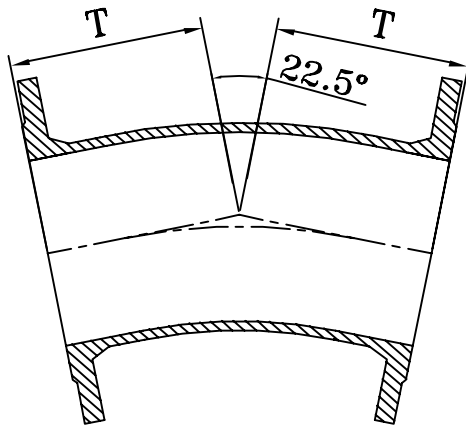
Flanged Bend 45° (FFK45)



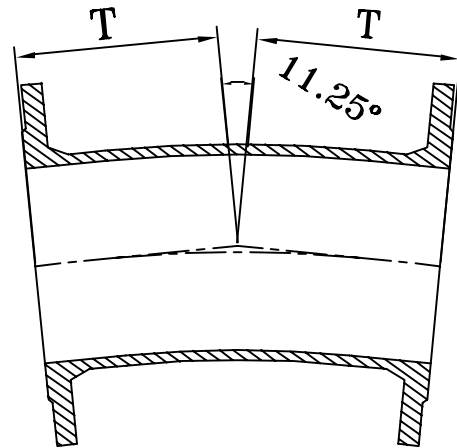
DN	T	Mass		
		PN10	PN16	PN25
80	110	9.3	9.3	9.3
100	140	11.3	11.3	12.4
150	160	18.5	18.5	20.5
200	180	27.5	27.5	31
250	350	55	55	62
300	400	76	78	88
350	300	78	83	89
400	325	96	107	129
450	350	120	135	157
500	375	145	175	198
600	425	212	266	294
700	480	296	326	-
800	530	403	442	-
900	580	519	567	-
1000	630	668	751	-
1100	695	857	927	-
1200	750	1050	1178	-
1400	775	1388	1524	-
1500	810	1677	1853	-
1600	845	1915	2119	-
1800	910	2465	2717	-
2000	980	3149	3455	-
2200	880	3446	3804	-

Flanged Fittings

Flanged Bend 22½° (FFK22)



Flanged Bend 11¼° (FFK11)

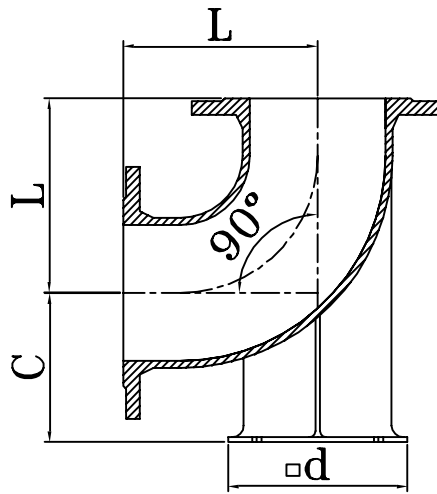


DN	T	Mass		
		PN10	PN16	PN25
80	105	9.4	9.4	9.4
100	110	11.5	11.5	12.5
150	109	18.7	18.7	19.4
200	131	27.9	27.9	31.6
250	190	56	56	62.8
300	210	76	79	89
350	210	79	84	99.9
400	239	97	109	131
450	349	122	138	160
500	375	146	177	200
600	426	216	268	297
700	478	300	330	-
800	529	409	447	-
900	581	526	577	-
1000	632	677	760	-
1100	683	877	947	-
1200	735	1054	1183	-
1400	835	1498	1632	-
1500	886	1838	2014	-
1600	940	2120	2324	-
1800	480	1549	1801	-
2000	520	1967	2273	-
2200	560	2485	2819	-

DN	T	Mass		
		PN10	PN16	PN25
80	113	9.5	9.5	9.5
100	115	11.5	11.5	12.5
150	113	18.7	18.7	20.6
200	132	27.9	27.9	31.6
250	165	55.9	55.9	63.3
300	175	77.8	78	89.5
350	191	79.3	83.6	100.4
400	205	97.2	108.4	131
450	349	123	139	160
500	375	147	177.6	200.8
600	426	216	270	299
700	478	301	332	-
800	529	412	449	-
900	581	529	577	-
1000	632	681	764	-
1100	683	882	952	-
1200	735	1060	1189	-
1400	835	1507	1612	-
1500	885	1849	2025	-
1600	940	2132	2337	-
1800	345	1251	1279	-
2000	375	1580	1886	-
2200	405	1996	2330	-

Flanged Fittings

90° Flanged Duck Foot Bend (N)



DN	Dimensions			Mass		
	L	C	□ d	PN10	PN16	PN25
80	165	110	180	14.1	14.1	14.1
100	180	125	200	17.8	17.8	18.8
150	220	160	250	30	30	32
200	260	190	300	46	46.5	50.5
250	350	225	350	75	75	82
300	400	255	400	105	106	116
350	450	290	450	139	145	162
400	500	320	500	178	189	212
450	550	355	550	245	261	283
500	600	385	600	283	313	337
600	700	450	700	428	481	509
700	800	515	800	684	708	-
800	900	580	900	944	974	-
900	1000	625	1000	1252	1290	-
1000	1100	710	1100	1629	1698	-
1100	1200	840	1300	2080	2150	-
1200	1300	-	-	2599	2709	-
1400	1350	-	-	-	-	-
1500	1400	-	-	-	-	-
1600	1411	-	-	-	-	-
1800	1500	-	-	-	-	-
2000	1600	-	-	-	-	-
2200	1650	-	-	-	-	-

Note: For sizes up to DN700, the supporting duck foot is integrally casted, for bigger sizes the supporting duck foot is fabricated from steel and jointed by welding