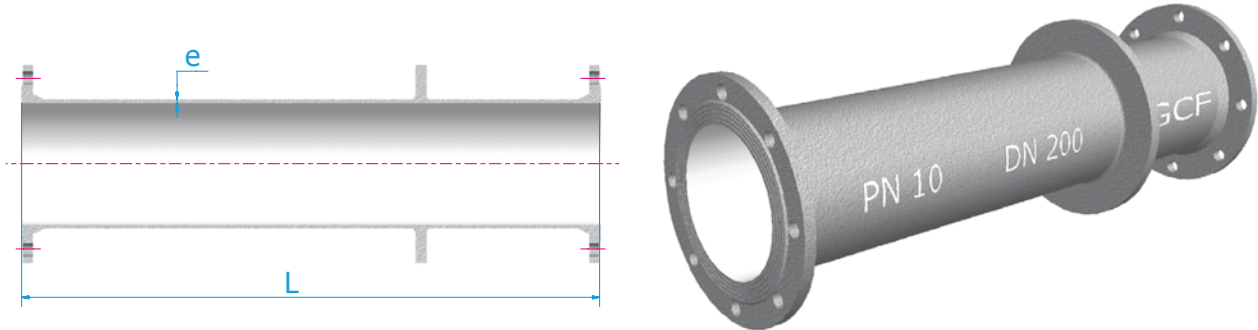


Double Flanged Pipe with Puddle



DOUBLE FLANGED PIPE WITH PUDDLE

DN	e	Mass (Kg) for DF pipe with Puddle for the length of ... (mm)									
		PN10 DF pipe with puddle					PN16 DF pipe with puddle				
		1000	1500	2000	2500	3000	1000	1500	2000	2500	3000
80	8.1	25	X	X	X	X	25	X	X	X	X
100	8.4	30	X	X	X	X	30	X	X	X	X
150	9.1	47	63	X	X	X	47	63	X	X	X
200	9.8	67	90	X	X	X	66	89	X	X	X
250	10.5	90	121	X	X	X	89	120	X	X	X
300	11.2	117	156	195	X	X	115	154	193	X	X
350	11.9	139	187	235	X	X	148	196	245	X	X
400	12.6	165	223	281	X	X	182	240	298	X	X
450	13.3	198	267	336	X	X	222	291	360	X	X
500	14	226	306	387	467	X	272	352	432	513	X
600	15.4	304	409	515	621	X	383	489	595	700	X
700	16.8	390	524	658	793	X	435	569	704	838	X
800	18.2	497	663	829	995	1161	554	720	886	1052	1218
900	19.6	595	796	996	1197	1398	666	867	1068	1269	1470
1000	21	722	961	1200	1439	1677	846	1085	1324	1563	1802
1100	22.4	899	1179	1460	1740	2020	1004	1284	1564	1845	2125
1200	23.8	1012	1336	1661	1985	2310	1205	1529	1854	2178	2503
1400	26.6	1289	1712	2135	2558	2981	1493	1916	2339	2762	3185
1500	28	1559	2036	2512	2989	3465	1823	2300	2776	3253	3729
1600	29.4	1686	2220	2753	3287	3820	1992	2526	3059	3593	4126
1800	32.2	2023	2680	3337	3994	4652	2401	3058	3715	4372	5029
2000	35	2425	3218	4012	4805	5599	2883	3677	4470	5264	6057
2200	37.8	2921	3863	4805	5747	6689	3421	4363	5305	6247	7189
2400	40.6	3403	4507	5610	6714	7817	4010	5114	6217	7321	8424
2600	43.4	3866	5144	6422	7699	8977	4572	5849	7127	8405	9683