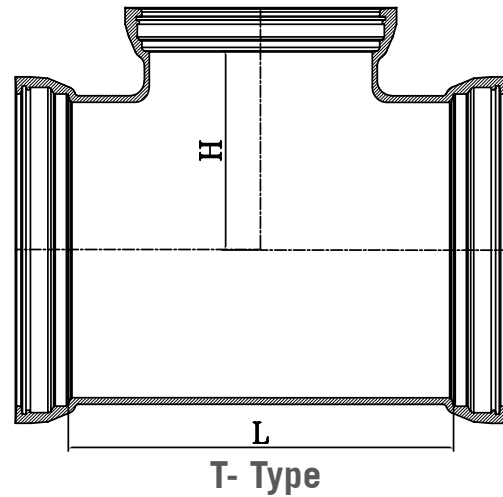


Socket Fittings

All Socket Tee (MMB)

| Size | | Dimensions | | Mass |
|------|-----|------------|-----|---------|
| DN | dn | L | H | T- Type |
| 80 | 80 | 170 | 85 | 12.8 |
| 100 | 80 | 170 | 95 | 14.8 |
| 100 | 100 | 190 | 95 | 16.1 |
| 150 | 80 | 170 | 120 | 21.5 |
| 150 | 100 | 195 | 120 | 23.5 |
| 150 | 150 | 255 | 125 | 28 |
| 200 | 80 | 175 | 145 | 30 |
| 200 | 100 | 200 | 145 | 32 |
| 200 | 150 | 255 | 150 | 37 |
| 200 | 200 | 315 | 155 | 43 |
| 250 | 80 | 180 | 170 | - |
| 250 | 100 | 200 | 170 | 59 |
| 250 | 150 | 260 | 175 | - |
| 250 | 200 | 315 | 180 | 72 |
| 250 | 250 | 375 | 190 | 81 |
| 300 | 100 | 205 | 195 | 67.5 |
| 300 | 150 | 260 | 200 | - |
| 300 | 200 | 320 | 205 | 79.5 |
| 300 | 250 | 375 | 210 | - |
| 300 | 300 | 435 | 220 | 116 |
| 350 | 80 | 325 | 260 | - |
| 350 | 100 | 325 | 260 | 81 |
| 350 | 150 | 325 | 270 | 98 |
| 350 | 200 | 325 | 270 | - |
| 350 | 250 | 495 | 280 | - |
| 350 | 300 | 495 | 285 | - |
| 350 | 350 | 495 | 290 | 142 |
| 400 | 80 | 325 | 280 | - |
| 400 | 100 | 325 | 285 | 131 |
| 400 | 150 | 325 | 295 | - |
| 400 | 200 | 325 | 295 | 145 |
| 400 | 250 | 560 | 300 | -- |
| 400 | 300 | 560 | 310 | - |
| 400 | 350 | 560 | 315 | - |
| 400 | 400 | 560 | 320 | 165 |
| 450 | 80 | 330 | 310 | - |
| 450 | 100 | 330 | 315 | - |
| 450 | 150 | 330 | 320 | - |
| 450 | 200 | 330 | 325 | - |
| 450 | 250 | 445 | 330 | - |
| 450 | 300 | 445 | 335 | - |
| 450 | 350 | 445 | 340 | - |
| 450 | 400 | 620 | 345 | - |
| 450 | 450 | 620 | 350 | - |
| 500 | 80 | 330 | 335 | - |
| 500 | 100 | 330 | 340 | 221 |
| 500 | 150 | 330 | 345 | - |
| 500 | 200 | 330 | 345 | 188 |
| 500 | 250 | 450 | 350 | - |
| 500 | 300 | 450 | 360 | 201 |
| 500 | 350 | 680 | 365 | - |
| 500 | 400 | 680 | 370 | - |
| 500 | 450 | 680 | 375 | - |
| 500 | 500 | 680 | 380 | 335 |



| Size | | Dimensions | | Mass |
|------|-----|------------|-----|---------|
| DN | dn | L | H | T- Type |
| 600 | 80 | 340 | 385 | - |
| 600 | 100 | 340 | 390 | - |
| 600 | 150 | 340 | 395 | 248 |
| 600 | 200 | 340 | 395 | 328 |
| 600 | 250 | 570 | 400 | - |
| 600 | 300 | 570 | 405 | - |
| 600 | 350 | 570 | 410 | - |
| 600 | 400 | 570 | 420 | - |
| 600 | 450 | 800 | 425 | - |
| 600 | 500 | 800 | 430 | - |
| 600 | 600 | 800 | 440 | 474 |
| 700 | 80 | 345 | 435 | - |
| 700 | 100 | 345 | 440 | - |
| 700 | 150 | 345 | 445 | - |
| 700 | 200 | 345 | 450 | 309 |
| 700 | 250 | 575 | 455 | - |
| 700 | 300 | 575 | 460 | - |
| 700 | 350 | 575 | 465 | - |
| 700 | 400 | 575 | 470 | 403 |
| 700 | 450 | 810 | 480 | - |
| 700 | 500 | 810 | 485 | - |
| 700 | 600 | 810 | 490 | - |
| 700 | 700 | 925 | 500 | 580 |
| 800 | 80 | 350 | 485 | - |
| 800 | 100 | 350 | 485 | - |
| 800 | 150 | 350 | 490 | - |
| 800 | 200 | 350 | 495 | 332 |
| 800 | 250 | 500 | 500 | - |
| 800 | 300 | 500 | 510 | - |
| 800 | 350 | 500 | 515 | - |
| 800 | 400 | 500 | 520 | 382 |
| 800 | 450 | 815 | 525 | - |
| 800 | 500 | 815 | 530 | - |
| 800 | 600 | 815 | 540 | 493 |
| 800 | 700 | 1045 | 550 | - |
| 800 | 800 | 1045 | 565 | 747 |

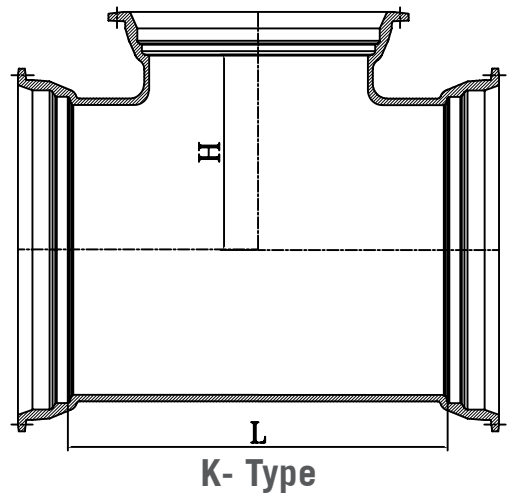
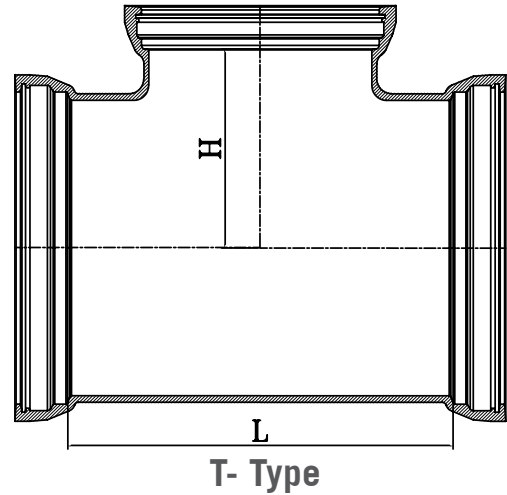
Socket Fittings



Greater Cairo Foundries
مسابك القاهرة الكبرى

All Socket Tee (MMB)

| Size | | Dimensions | | Mass | |
|------|------|------------|-----|---------|---------|
| DN | dn | L | H | T- Type | K- Type |
| 900 | 80 | 355 | 540 | - | X |
| 900 | 100 | 355 | 540 | - | X |
| 900 | 150 | 355 | 545 | - | X |
| 900 | 200 | 355 | 545 | 826 | X |
| 900 | 250 | 590 | 550 | - | X |
| 900 | 300 | 590 | 555 | - | X |
| 900 | 350 | 590 | 560 | - | X |
| 900 | 400 | 590 | 570 | 464 | X |
| 900 | 450 | 820 | 580 | - | X |
| 900 | 500 | 820 | 585 | - | X |
| 900 | 600 | 820 | 590 | 592 | X |
| 900 | 700 | 1170 | 600 | - | X |
| 900 | 800 | 1170 | 615 | - | X |
| 900 | 900 | 1170 | 625 | 943 | X |
| 1000 | 80 | 360 | 590 | - | X |
| 1000 | 100 | 360 | 590 | - | X |
| 1000 | 150 | 360 | 595 | - | X |
| 1000 | 200 | 360 | 595 | 1051 | X |
| 1000 | 250 | 595 | 600 | - | X |
| 1000 | 300 | 595 | 610 | - | X |
| 1000 | 350 | 595 | 615 | - | X |
| 1000 | 400 | 595 | 620 | 940 | X |
| 1000 | 450 | 825 | 625 | - | X |
| 1000 | 500 | 825 | 630 | - | X |
| 1000 | 600 | 825 | 640 | 1009 | X |
| 1000 | 700 | 1290 | 650 | - | X |
| 1000 | 800 | 1290 | 665 | - | X |
| 1000 | 900 | 1290 | 675 | - | X |
| 1000 | 1000 | 1290 | 685 | 1644 | X |
| 1200 | 400 | 605 | 720 | 978 | - |
| 1200 | 500 | 840 | 730 | - | - |
| 1200 | 600 | 840 | 740 | 1139 | - |
| 1200 | 700 | 840 | 750 | - | - |
| 1200 | 800 | 1070 | 765 | - | - |
| 1200 | 900 | 1070 | 775 | - | - |
| 1200 | 1000 | 1500 | 785 | - | - |
| 1200 | 1200 | 1500 | 805 | 1900 | - |
| 1400 | 400 | 800 | 820 | - | - |
| 1400 | 500 | 1030 | 830 | - | - |
| 1400 | 600 | 1030 | 840 | - | - |
| 1400 | 700 | 1030 | 850 | - | - |
| 1400 | 800 | 1300 | 865 | - | - |
| 1400 | 900 | 1300 | 875 | - | - |
| 1400 | 1000 | 1300 | 885 | - | - |
| 1400 | 1200 | 1850 | 905 | - | - |
| 1400 | 1400 | 1850 | 930 | - | - |

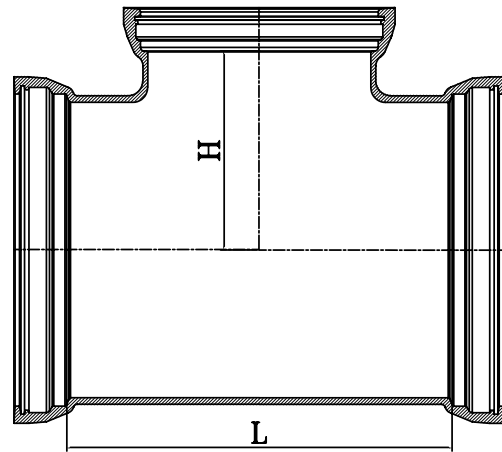


| Size | | Dimensions | | Mass | |
|------|------|------------|------|---------|---------|
| DN | dn | L | H | T- Type | K- Type |
| 1500 | 400 | 805 | 850 | - | - |
| 1500 | 500 | 1035 | 870 | - | - |
| 1500 | 600 | 1035 | 890 | - | - |
| 1500 | 700 | 1035 | 900 | - | - |
| 1500 | 800 | 1350 | 915 | - | - |
| 1500 | 900 | 1350 | 925 | - | - |
| 1500 | 1000 | 1350 | 935 | - | - |
| 1500 | 1200 | 1900 | 955 | - | - |
| 1500 | 1400 | 1900 | 980 | - | - |
| 1500 | 1500 | 1900 | 990 | - | - |
| 1600 | 400 | 810 | 910 | - | - |
| 1600 | 500 | 1040 | 925 | - | - |
| 1600 | 600 | 1040 | 940 | - | - |
| 1600 | 700 | 1040 | 955 | - | - |
| 1600 | 800 | 1390 | 965 | - | - |
| 1600 | 900 | 1390 | 975 | - | - |
| 1600 | 1000 | 1390 | 985 | - | - |
| 1600 | 1200 | 1900 | 1010 | - | - |
| 1600 | 1400 | 1900 | 1030 | - | - |
| 1600 | 1500 | 1900 | 1040 | - | - |
| 1600 | 1600 | 1900 | 1050 | - | - |

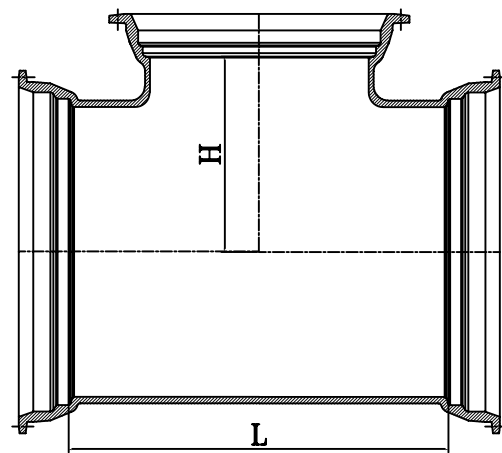
Socket Fittings

All Socket Tee (MMB)

| Size | | Dimensions | | Mass |
|------|------|------------|------|---------|
| DN | dn | L | H | K- Type |
| 1800 | 700 | 1055 | 1040 | - |
| 1800 | 800 | 1400 | 1065 | - |
| 1800 | 900 | 1400 | 1075 | - |
| 1800 | 1000 | 1400 | 1085 | - |
| 1800 | 1200 | 1900 | 1110 | - |
| 1800 | 1400 | 1900 | 1130 | - |
| 1800 | 1500 | 1900 | 1140 | - |
| 1800 | 1600 | 2215 | 1150 | - |
| 1800 | 1800 | 2445 | 1175 | - |
| 2000 | 600 | 1065 | 1140 | - |
| 2000 | 800 | 1300 | 1165 | - |
| 2000 | 1000 | 1530 | 1185 | - |
| 2000 | 1200 | 1760 | 1210 | - |
| 2000 | 1400 | 1995 | 1230 | - |
| 2000 | 1500 | 1195 | 1240 | - |
| 2000 | 1600 | 2225 | 1250 | - |
| 2000 | 1800 | 2460 | 1275 | - |
| 2000 | 2000 | 2690 | 1295 | - |
| 2200 | 800 | 1310 | 1265 | - |
| 2200 | 1000 | 1540 | 1285 | - |
| 2200 | 1200 | 1775 | 1310 | - |
| 2200 | 1400 | 2005 | 1330 | - |
| 2200 | 1500 | 2005 | 1340 | - |
| 2200 | 1600 | 2240 | 1350 | - |
| 2200 | 1800 | 2470 | 1375 | - |
| 2200 | 2000 | 2700 | 1395 | - |
| 2200 | 2200 | 2935 | 1415 | - |
| 2400 | 800 | 1320 | 1365 | - |
| 2400 | 1000 | 1555 | 1385 | - |
| 2400 | 1200 | 1785 | 1410 | - |
| 2400 | 1400 | 2020 | 1430 | - |
| 2400 | 1500 | 2020 | 1440 | - |
| 2400 | 1600 | 2250 | 1450 | - |
| 2400 | 1800 | 2480 | 1475 | - |
| 2400 | 2000 | 2715 | 1495 | - |
| 2400 | 2200 | 2945 | 1515 | - |
| 2400 | 2400 | 3180 | 1540 | - |



T- Type



K- Type

| Size | | Dimensions | | Mass |
|------|------|------------|------|---------|
| DN | dn | L | H | K- Type |
| 2600 | 800 | 1335 | 1465 | - |
| 2600 | 1000 | 1565 | 1485 | - |
| 2600 | 1200 | 1800 | 1510 | - |
| 2600 | 1400 | 2030 | 1530 | - |
| 2600 | 1500 | 2030 | 1540 | - |
| 2600 | 1600 | 2260 | 1550 | - |
| 2600 | 1800 | 2495 | 1575 | - |
| 2600 | 2000 | 2725 | 1595 | - |
| 2600 | 2200 | 2960 | 1615 | - |

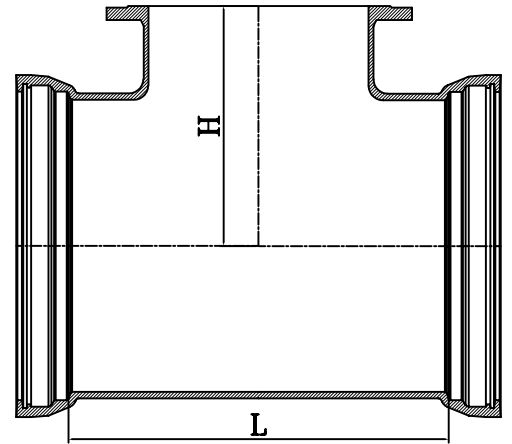
Socket Fittings



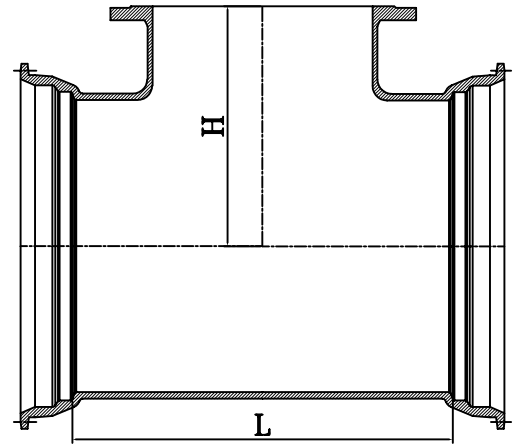
Greater Cairo Foundries
مسبك القاهرة الكبرى

Double Socket Tee with Flanged Branch (MMA)

| ze | | Dimensions | | Mass T- Type | |
|-----|-----|------------|-----|--------------|------|
| DN | dn | L | H | PN10 | PN16 |
| 80 | 80 | 170 | 165 | 13.5 | 13.5 |
| 100 | 80 | 170 | 175 | 15.8 | 15.8 |
| 100 | 100 | 190 | 180 | 17.2 | 17.2 |
| 150 | 80 | 170 | 205 | 23 | 23 |
| 150 | 100 | 195 | 210 | 24.5 | 24.5 |
| 150 | 150 | 255 | 220 | 29.5 | 29.5 |
| 200 | 80 | 175 | 235 | 31.5 | 31.5 |
| 200 | 100 | 200 | 240 | 33.5 | 33.5 |
| 200 | 150 | 255 | 250 | 39 | 39 |
| 200 | 200 | 315 | 260 | 45.6 | 46 |
| 250 | 80 | 180 | 265 | - | - |
| 250 | 100 | 200 | 270 | 43.5 | 44 |
| 250 | 150 | 260 | 280 | - | - |
| 250 | 200 | 315 | 290 | 57 | 57 |
| 250 | 250 | 375 | 300 | 65 | 66 |
| 300 | 80 | 180 | 295 | - | - |
| 300 | 100 | 205 | 300 | 55 | 55 |
| 300 | 150 | 260 | 310 | - | - |
| 300 | 200 | 320 | 320 | 71 | 71 |
| 300 | 250 | 435 | 330 | - | - |
| 300 | 300 | 435 | 340 | 89 | 91 |
| 350 | 80 | 205 | 330 | - | - |
| 350 | 100 | 205 | 330 | 68 | 68 |
| 350 | 150 | 325 | 350 | - | - |
| 350 | 200 | 325 | 350 | 86 | 86 |
| 350 | 250 | 440 | 360 | - | - |
| 350 | 300 | 440 | 370 | - | - |
| 350 | 350 | 495 | 380 | 117 | 120 |
| 400 | 80 | 185 | 355 | - | - |
| 400 | 100 | 210 | 360 | 83 | 83 |
| 400 | 150 | 270 | 370 | - | - |
| 400 | 200 | 325 | 380 | 103 | 103 |
| 400 | 250 | 440 | 390 | - | - |
| 400 | 300 | 440 | 400 | - | - |
| 400 | 350 | 560 | 410 | - | - |
| 400 | 400 | 560 | 420 | 150 | 156 |
| 450 | 100 | 215 | 390 | - | - |
| 450 | 150 | 270 | 400 | - | - |
| 450 | 200 | 330 | 410 | - | - |
| 450 | 250 | 390 | 420 | - | - |
| 450 | 300 | 445 | 430 | - | - |
| 450 | 350 | 560 | 440 | - | - |
| 450 | 400 | 560 | 450 | - | - |
| 450 | 450 | 620 | 460 | - | - |



T- Type



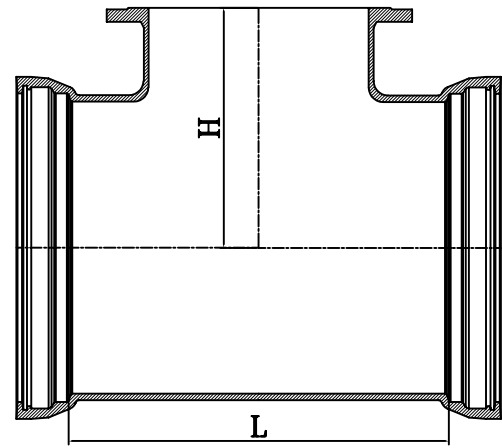
K- Type

| ze | | Dimensions | | Mass T- Type | |
|-----|-----|------------|-----|--------------|------|
| DN | dn | L | H | PN10 | PN16 |
| 500 | 100 | 215 | 420 | 116 | 116 |
| 500 | 150 | 330 | 440 | - | - |
| 500 | 200 | 330 | 440 | 142 | 142 |
| 500 | 250 | 450 | 450 | - | - |
| 500 | 300 | 450 | 450 | - | - |
| 500 | 350 | 450 | 460 | - | - |
| 500 | 400 | 565 | 480 | 199 | 205 |
| 500 | 450 | 680 | 490 | - | - |
| 500 | 500 | 680 | 500 | 232 | 247 |
| 600 | 200 | 340 | 500 | 189 | 189 |
| 600 | 250 | 455 | 510 | - | - |
| 600 | 300 | 455 | 520 | - | - |
| 600 | 350 | 570 | 530 | - | - |
| 600 | 400 | 570 | 540 | 258 | 263 |
| 600 | 450 | 800 | 560 | - | - |
| 600 | 500 | 800 | 570 | - | - |
| 600 | 600 | 800 | 580 | 340 | 366 |

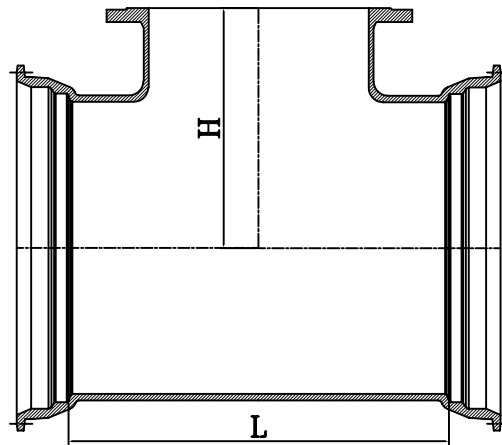
Socket Fittings

Double Socket Tee with Flanged Branch (MMA)

| ze | | Dimensions | | Mass T- Type | |
|------|------|------------|-----|--------------|------|
| DN | dn | L | H | PN10 | PN16 |
| 700 | 200 | 345 | 525 | 300 | 310 |
| 700 | 250 | 575 | 530 | - | - |
| 700 | 300 | 575 | 540 | - | - |
| 700 | 350 | 575 | 550 | - | - |
| 700 | 400 | 575 | 555 | 320 | 325 |
| 700 | 450 | 810 | 565 | - | - |
| 700 | 500 | 810 | 575 | - | - |
| 700 | 600 | 810 | 585 | - | - |
| 700 | 700 | 925 | 600 | 460 | 475 |
| 800 | 200 | 350 | 585 | 306 | 310 |
| 800 | 250 | 580 | 590 | - | - |
| 800 | 300 | 580 | 600 | - | - |
| 800 | 350 | 580 | 610 | - | - |
| 800 | 400 | 580 | 615 | 398 | 403 |
| 800 | 450 | 1045 | 625 | - | - |
| 800 | 500 | 1045 | 635 | - | - |
| 800 | 600 | 1 045 | 645 | 579 | 605 |
| 800 | 700 | 1045 | 660 | - | - |
| 800 | 800 | 1 045 | 675 | 623 | 642 |
| 900 | 200 | 355 | 645 | 379 | 379 |
| 900 | 250 | 590 | 650 | - | - |
| 900 | 300 | 590 | 660 | - | - |
| 900 | 350 | 590 | 670 | - | - |
| 900 | 400 | 590 | 675 | 490 | 495 |
| 900 | 450 | 1170 | 690 | - | - |
| 900 | 500 | 1170 | 700 | - | - |
| 900 | 600 | 1170 | 705 | 748 | 774 |
| 900 | 700 | 1170 | 720 | - | - |
| 900 | 800 | 1170 | 735 | - | - |
| 900 | 900 | 1170 | 750 | 814 | 838 |
| 1000 | 200 | 360 | 705 | 462 | 462 |
| 1000 | 250 | 595 | 720 | - | - |
| 1000 | 300 | 595 | 725 | - | - |
| 1000 | 350 | 595 | 730 | - | - |
| 1000 | 400 | 595 | 735 | 591 | 596 |
| 1000 | 450 | 1290 | 745 | - | - |
| 1000 | 500 | 1290 | 755 | - | - |
| 1000 | 600 | 1290 | 765 | 947 | 973 |
| 1000 | 700 | 1290 | 780 | - | - |
| 1000 | 800 | 1290 | 800 | - | - |
| 1000 | 900 | 1290 | 815 | - | - |
| 1000 | 1000 | 1290 | 825 | 1044 | 1086 |



T- Type



K- Type



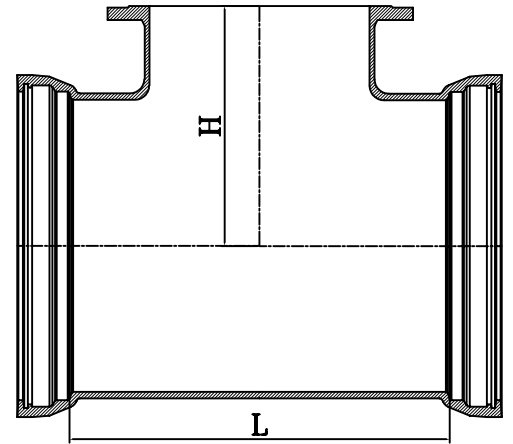
Socket Fittings



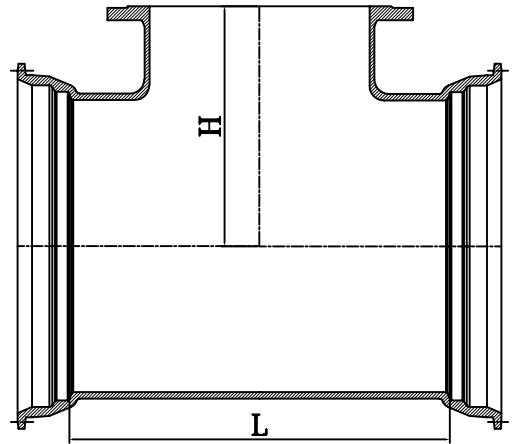
Greater Cairo Foundries
مسبك القاهرة الكبرى

Double Socket Tee with Flanged Branch (MMA)

| Size | | Dimensions | | Mass T- Type | | Mass K- Type | |
|------|------|------------|------|--------------|------|--------------|------|
| DN | dn | L | H | PN10 | PN16 | PN10 | PN16 |
| 1200 | 600 | 840 | 885 | 1000 | 1027 | - | - |
| 1200 | 700 | 1070 | 910 | - | - | - | - |
| 1200 | 800 | 1070 | 915 | 1190 | 1210 | - | - |
| 1200 | 900 | 1300 | 935 | - | - | - | - |
| 1200 | 1000 | 1300 | 945 | 1406 | 1448 | - | - |
| 1200 | 1200 | 1535 | 975 | - | - | - | - |
| 1400 | 600 | 1030 | 980 | 1478 | 1505 | - | - |
| 1400 | 700 | 1260 | 1000 | - | - | - | - |
| 1400 | 800 | 1260 | 1010 | 1709 | 1728 | - | - |
| 1400 | 900 | 1495 | 1030 | - | - | - | - |
| 1400 | 1000 | 1495 | 1040 | 1955 | 1996 | - | - |
| 1400 | 1200 | 1850 | 1070 | - | - | - | - |
| 1400 | 1400 | 1850 | 1100 | - | - | - | - |
| 1500 | 600 | 1035 | 1035 | 1622 | 1645 | - | - |
| 1500 | 700 | 1270 | 1050 | - | - | - | - |
| 1500 | 800 | 1270 | 1065 | 1887 | 1901 | - | - |
| 1500 | 900 | 1270 | 1085 | - | - | - | - |
| 1500 | 1000 | 1500 | 1095 | 2157 | 2192 | - | - |
| 1500 | 1200 | 1500 | 1125 | - | - | - | - |
| 1500 | 1400 | 1950 | 1155 | - | - | - | - |
| 1500 | 1500 | 1950 | 1170 | - | - | - | - |
| 1600 | 600 | 1040 | 1090 | 1908 | 1934 | - | - |
| 1600 | 700 | 1275 | 1110 | - | - | - | - |
| 1600 | 800 | 1275 | 1120 | 2480 | 2522 | - | - |
| 1600 | 900 | 1275 | 1130 | - | - | - | - |
| 1600 | 1000 | 1505 | 1150 | 2799 | 2863 | - | - |
| 1600 | 1200 | 1740 | 1180 | - | - | - | - |
| 1600 | 1400 | 1740 | 1210 | - | - | - | - |
| 1600 | 1500 | 2200 | 1230 | - | - | - | - |
| 1600 | 1600 | 2200 | 1240 | - | - | - | - |
| 1800 | 600 | 1055 | 1200 | X | X | - | - |
| 1800 | 700 | 1285 | 1220 | X | X | - | - |
| 1800 | 800 | 1285 | 1230 | X | X | - | - |
| 1800 | 900 | 1520 | 1250 | X | X | - | - |
| 1800 | 1000 | 1520 | 1260 | X | X | - | - |
| 1800 | 1200 | 1750 | 1290 | X | X | - | - |
| 1800 | 1400 | 1980 | 1320 | X | X | - | - |
| 1800 | 1500 | 1980 | 1330 | X | X | - | - |
| 1800 | 1600 | 2215 | 1350 | X | X | - | - |
| 1800 | 1800 | 2215 | 1380 | X | X | - | - |
| 2000 | 600 | 1065 | 1310 | X | X | - | - |
| 2000 | 700 | 1300 | 1330 | X | X | - | - |
| 2000 | 800 | 1300 | 1340 | X | X | - | - |
| 2000 | 900 | 1300 | 1350 | X | X | - | - |
| 2000 | 1000 | 1530 | 1370 | X | X | - | - |



T- Type

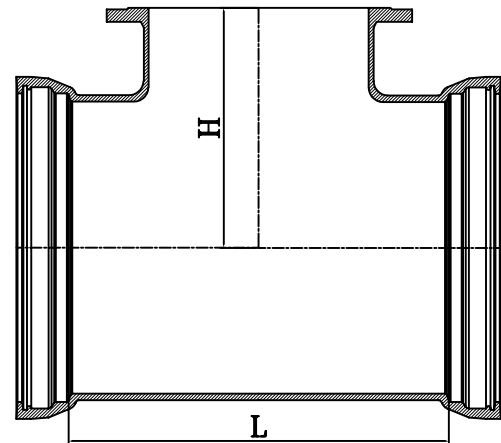


K- Type

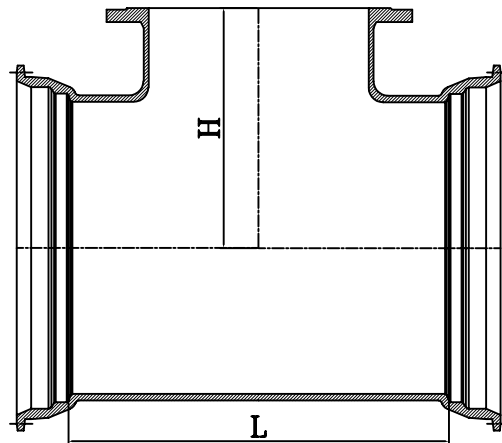
Socket Fittings

Double Socket Tee with Flanged Branch (MMA)

| Size | | Dimensions | | Mass K- Type | |
|------|------|------------|-------|--------------|------|
| DN | dn | L | H | PN10 | PN16 |
| 2000 | 1200 | 1530 | 1400 | - | - |
| 2000 | 1400 | 1 995 | 1 430 | - | - |
| 2000 | 1500 | 1995 | 1450 | - | - |
| 2000 | 1600 | 2500 | 1460 | - | - |
| 2000 | 1800 | 2500 | 1490 | - | - |
| 2000 | 2000 | 2500 | 1520 | - | - |
| 2200 | 600 | 1 080 | 1420 | - | - |
| 2200 | 700 | 1350 | 1430 | - | - |
| 2200 | 800 | 1350 | 1450 | - | - |
| 2200 | 900 | 1350 | 1460 | - | - |
| 2200 | 1000 | 1350 | 1480 | - | - |
| 2200 | 1200 | 1775 | 1510 | - | - |
| 2200 | 1400 | 1775 | 1540 | - | - |
| 2200 | 1500 | 1900 | 1560 | - | - |
| 2200 | 1600 | 1900 | 1570 | - | - |
| 2200 | 1800 | 2 470 | 1 600 | - | - |
| 2200 | 2000 | 2700 | 1630 | - | - |
| 2200 | 2200 | 2700 | 1660 | - | - |
| 2400 | 600 | 1090 | 1530 | - | - |
| 2400 | 700 | 1350 | 1545 | - | - |
| 2400 | 800 | 1350 | 1560 | - | - |
| 2400 | 900 | 1350 | 1575 | - | - |
| 2400 | 1000 | 1350 | 1590 | - | - |
| 2400 | 1200 | 1785 | 1 620 | - | - |
| 2400 | 1400 | 1900 | 1650 | - | - |
| 2400 | 1500 | 1900 | 1656 | - | - |
| 2400 | 1600 | 1900 | 1680 | - | - |
| 2400 | 1800 | 2480 | 1710 | - | - |
| 2400 | 2000 | 2480 | 1740 | - | - |
| 2400 | 2200 | 2800 | 1770 | - | - |
| 2400 | 2400 | 2800 | 1800 | - | - |
| 2600 | 600 | 1100 | 1640 | - | - |
| 2600 | 700 | 1350 | 1660 | - | - |
| 2600 | 800 | 1350 | 1670 | - | - |
| 2600 | 900 | 1350 | 1685 | - | - |
| 2600 | 1000 | 1500 | 1700 | - | - |
| 2600 | 1200 | 1500 | 1730 | - | - |
| 2600 | 1400 | 2 030 | 1750 | - | - |
| 2600 | 1500 | 2030 | 1770 | - | - |
| 2600 | 1600 | 2030 | 1790 | - | - |
| 2600 | 1800 | 2495 | 1820 | - | - |
| 2600 | 2000 | 2725 | 1850 | - | - |
| 2600 | 2200 | 3000 | 1880 | - | - |
| 2600 | 2400 | 3000 | 1910 | - | - |



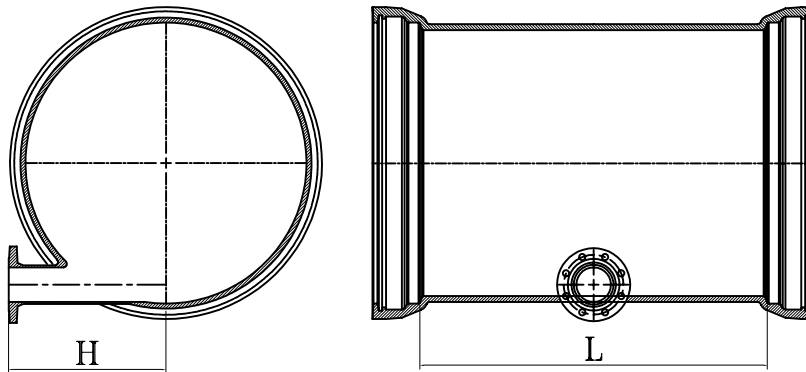
T- Type



K- Type

Socket Fittings

Double Socket Level Invert Tee with Flanged Branch



| Size | | Dimensions | | Mass T- Type | | Mass K- Type | |
|------|-----|------------|-----|--------------|------|--------------|------|
| DN | dn | L | H | PN10 | PN16 | PN10 | PN16 |
| 100 | 80 | 190 | 195 | | | X | X |
| 150 | 80 | 195 | 220 | 35 | 35 | X | X |
| 200 | 80 | 200 | 250 | 40 | 40 | X | X |
| 200 | 100 | 200 | 250 | - | - | X | X |
| 250 | 80 | 200 | 275 | 50 | 50 | X | X |
| 250 | 100 | 200 | 275 | 52 | 52 | X | X |
| 300 | 80 | 205 | 305 | 62 | 62 | X | X |
| 300 | 100 | 205 | 305 | 64 | 64 | X | X |
| 300 | 150 | 260 | 305 | - | - | X | X |
| 350 | 80 | 205 | 340 | - | - | X | X |
| 350 | 100 | 205 | 340 | 83 | 83 | X | X |
| 350 | 150 | 325 | 340 | - | - | X | X |
| 400 | 80 | 210 | 365 | - | - | X | X |
| 400 | 100 | 210 | 365 | 98 | 98 | X | X |
| 400 | 150 | 325 | 365 | - | - | X | X |
| 400 | 200 | 325 | 365 | - | - | X | X |
| 450 | 80 | 215 | 380 | - | - | X | X |
| 450 | 100 | 215 | 380 | 115 | 115 | X | X |
| 450 | 150 | 330 | 380 | - | - | X | X |
| 450 | 200 | 330 | 380 | - | - | X | X |
| 500 | 80 | 215 | 400 | - | - | X | X |
| 500 | 100 | 215 | 400 | 134 | 134 | X | X |
| 500 | 150 | 330 | 400 | - | - | X | X |
| 500 | 200 | 330 | 400 | - | - | X | X |
| 600 | 80 | 340 | 435 | - | - | X | X |
| 600 | 100 | 340 | 435 | 173 | 173 | X | X |
| 600 | 150 | 340 | 450 | - | - | X | X |
| 600 | 200 | 340 | 450 | - | - | X | X |
| 700 | 150 | 345 | 500 | - | - | X | X |
| 700 | 200 | 345 | 500 | 300 | 300 | X | X |
| 800 | 150 | 350 | 540 | - | - | X | X |
| 800 | 200 | 350 | 540 | 370 | 370 | X | X |
| 900 | 150 | 355 | 580 | - | - | X | X |
| 900 | 200 | 355 | 580 | 475 | 475 | X | X |
| 1000 | 150 | 360 | 630 | - | - | X | X |
| 1000 | 200 | 360 | 630 | 570 | 570 | X | X |
| 1200 | 200 | 445 | 750 | 840 | 840 | - | - |
| 1400 | 200 | 460 | 850 | - | - | - | - |
| 1500 | 200 | 465 | 900 | - | - | - | - |
| 1600 | 400 | 700 | 950 | - | - | - | - |